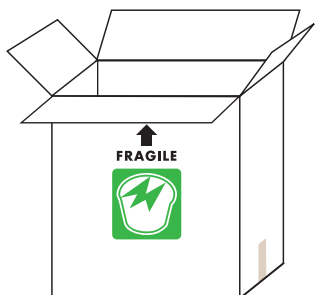


Environmental labeling

Food paper boxes

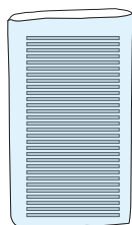


BOX

PAP 20

PAPER COLLECTION

*Check the regulation of your municipality.
Reduce the volume of the box*

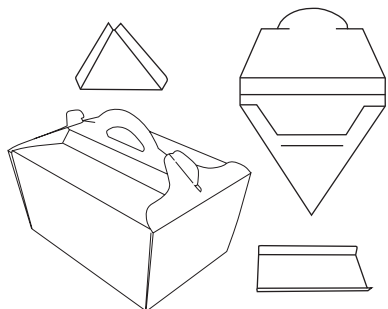


SLEEVE

LDPE 4

PLASTIC COLLECTION

*Check the regulation of your municipality.
Empty the packaging before giving
it into the collection*



FOOD PAPER BOXES

C/PAP 81

PAPER COLLECTION

*Check the regulation of your municipality.
Eliminate product residue before
giving it into the collection*